



MODEL CD6000 (SIDE-LOAD) CHEM-DEMIL AIR HANDLING FILTER SYSTEM SPECIFICATION

System Air Flow Rate	1200 to 6000 CFM
System Design Pressure	±24" W.G.
Temperature Range of Air Entering Filter	50°-130°F
Flow Order	Prefilter/HEPA/Charcoal/Charcoal/HEPA/Fan
Prefilter Type	Dry disposal group III-type per ARI Standard 850, Class 1 per UL Standard 900
Prefilter Bank Configuration	1 bank, 3 high × 2 wide
Prefilter Efficiency	80-85% ASHRAE Standard 52-76
HEPA Filter Type	Throw away, extended media, dry-type, bayonet-type per MIL-HDBK-144
HEPA Filter Bank Configuration	2 banks, 3 high × 2 wide
HEPA Filter Efficiency	99.97% on 0.3 micron particles
Charcoal Adsorber Cell Type	Type II per IES Standard CS-8
Charcoal Adsorber Bank	2 banks, 9 cells high × 2 wide
Charcoal Adsorber Bank Air-to-Adsorbent Residence Time	Minimum 0.25 seconds @ maximum system flow rate
Total System Air-to-Adsorbent Residence Time	Minimum 0.5 seconds @ maximum system flow rate
Adsorbent Type	8 × 16 mesh activated cocoanut shell carbon per ANSI N509 (non-impregnated)

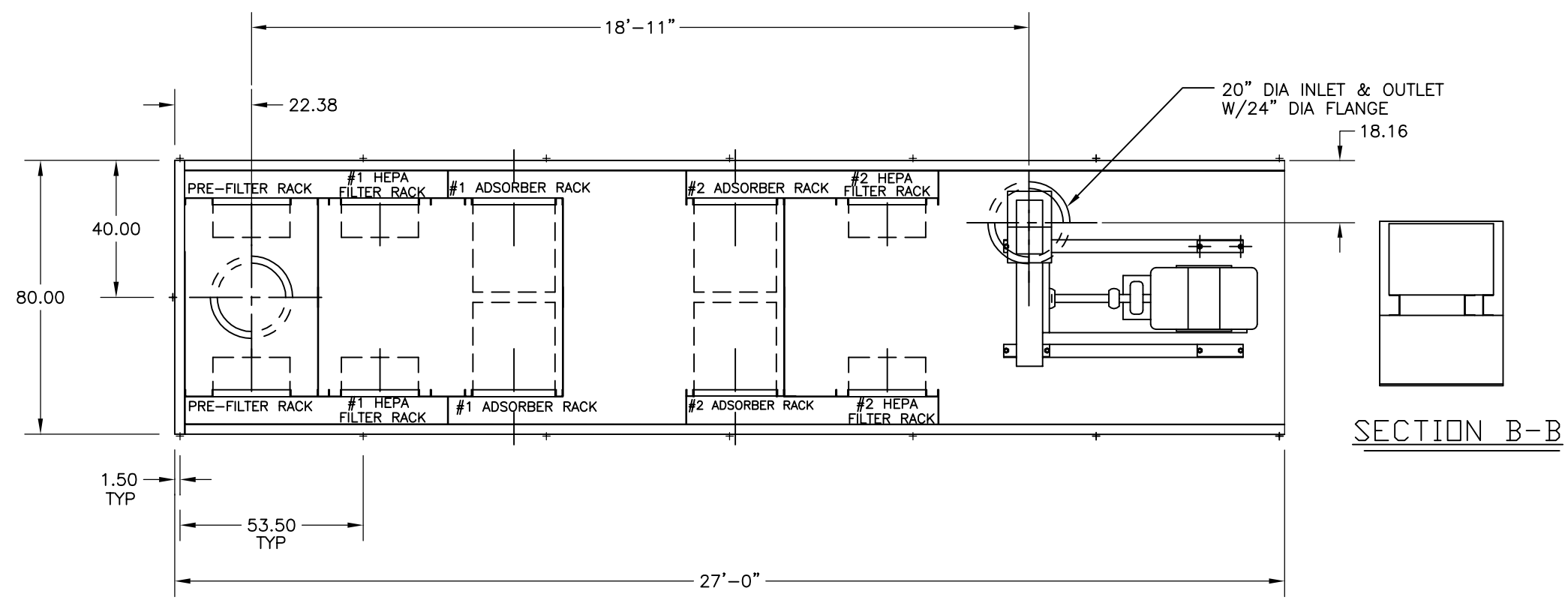
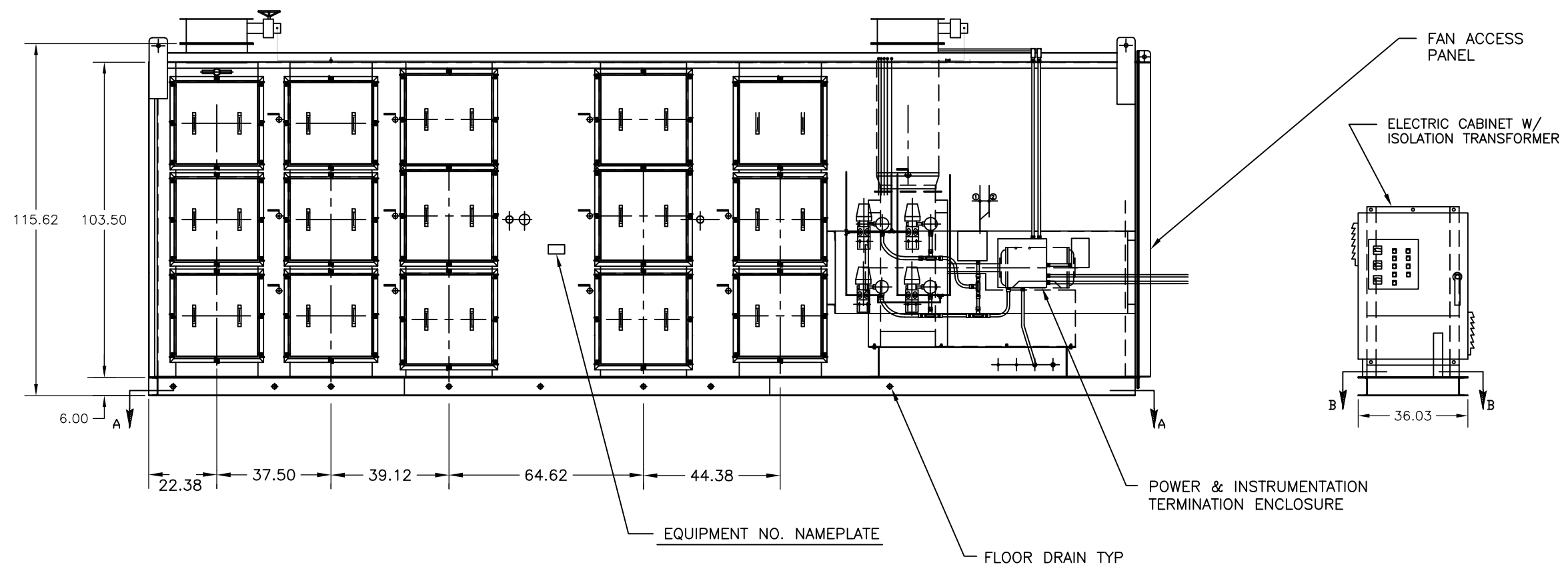
MODEL CD6000SL CHEM-DEMIL AIR HANDLING FILTER SYSTEM




Inlet / Outlet Dampers	24” diameter butterfly dampers (bubble-tight) with pneumatic actuator
Instrumentation	Differential pressure indicator / transmitters across prefilter and HEPA banks as well as across entire filter system, 4-20 mA Flow indicator / transmitter, 4-20 mA Mid-bed agent monitoring array, Teflon, heat-traced
Maximum Housing Leakage Rate	0.1 SCFM/sq. ft. of housing surface at 10” W.G.
System Design Standard	ANSI N509-1989
Housing Materials of Construction	Stainless Steel, type 304L
Fan Type	Centrifugal single width, single inlet, arrangement 4, air foil wheel
Motor Type	50 Hp, totally-enclosed, fan-cooled, 1800 RPM
Motor Speed Control	Variable frequency drive with isolation transformer
Utility Requirements	480 VAC, 3 phase, 60 Hz for lighting, 90 psig plant air for damper actuators and in-place test usage

MODEL CD6000SL CHEM-DEMIL AIR HANDLING FILTER SYSTEM

REV	DESCRIPTION	REV BY	CHK BY	APPROVED	DATE



SECTION A-A

UNLESS OTHERWISE SPECIFIED			PARTS LIST		 LAFAYETTE, COLORADO
DIMENSIONS ARE IN INCHES			CONTRACT NO.	CUSTOMER	
DEBURR SHARP EDGES			APPROVALS	DATE	MODEL CD-6000 SIDE LOAD
TOLERANCES ARE:			DRAWN	AR 12/10/13	
FRACTIONS	DECIMALS	ANGLES	CHECKED		
±1/2	.X ± .2	± 2'	APPROVED		PRODUCTION ORDER NO.
	.XX ± .12		ISSUED		13-003
	.XXX ± .062				SCALE
DO NOT SCALE DRAWING					1 : 1
					WEIGHT
					SHEET 1 OF 1